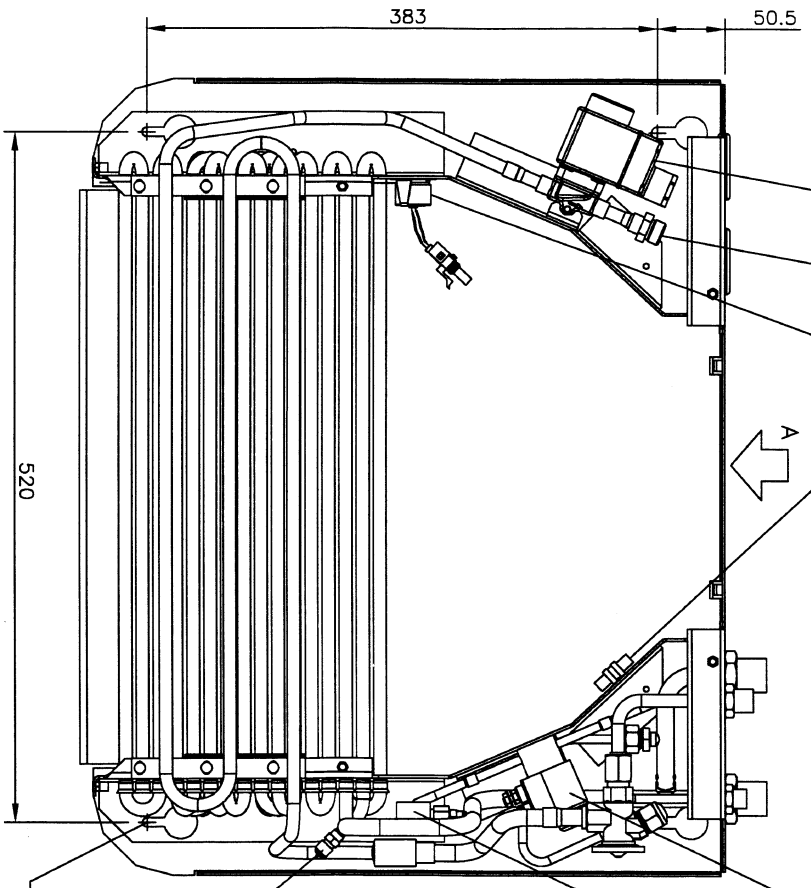


HOT GAS SOLENOID VALVE  
Not included in TC Units

HOT GAS LINE CONNECTION (HOSE #6)

DEFROST SWITCH

TEMPERATURE SENSOR

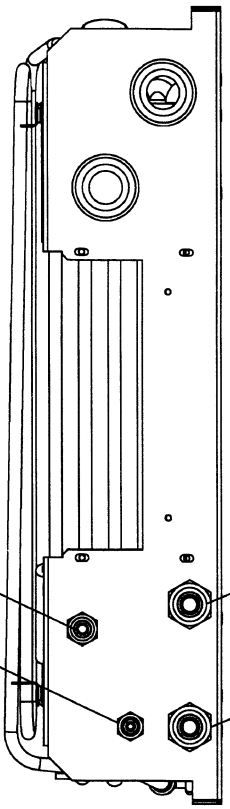


LIQUID INJECTION VALVE (only R404 units)  
Not included in TC Units

LOW PRESSURE SWITCH (LPCO)  
Not included in TC Units

STAND-BY COMPRESSOR SUCTION LINE CONNECTION (HOSE #10)

ROAD SUCTION LINE CONNECTION (HOSE #10)



SERVICE PORT

LIQUID LINE CONNECTION (HOSE #4)  
With #4 coupling

OIL RETURN LINE CONNECTION (HOSE #4)

MOUNTING HOLES

VIEW "A"

REVISIONS		DATE	BY	CHK	APP
ECO	SYM	DESCRIPTION			

DIMENSIONS IN  
MILLIMETERS

**THIRD ANGLE PROJECTION**

ITEM	PART NUMBER	REV.	DESCRIPTION	QTY.	MATL. SPECS.
LIST OF MATERIAL					

DRAWN	JORDI L.	DATE	18-Mar-03
CHECKED	E. CANADE	25-Sep-03	
APPROVED	JORDI L.	25-Sep-03	

OUTLINE DRAWING  
EVAPORATOR  
ES100



SCALE	1/4
MATERIAL	
FINISH	

SHEET 2 OF 2

DRAWING NUMBER	1E16160
REV.	A

THIS DOCUMENT CONTAINS PROPRIETARY INFORMATION OF THE THERMO KING CORPORATION. IT IS TRANSMITTED TO YOU IN CONFIDENCE AND TRUST, AND IS TO BE RETURNED UPON REQUEST. ITS CONTENTS MAY NOT BE DISCLOSED IN WHOLE OR IN PART TO OTHERS OR USED FOR OTHER THAN THE PURPOSE FOR WHICH TRANSMITTED WITHOUT THE PRIOR WRITTEN PERMISSION OF THERMO KING CORPORATION.